

HBL2811 -- Twist-Lock Plug



4P5W, 30A 3PH 120/208V AC, L21-30P, Black & White Nylon

Product Specifications

Product Type



Product Item

Plug

Wiring Scheme

4 Pole, 5 Wire Grounding

Amperage

30A

Voltage

3 Phase Y 120/208V AC

NEMA Configuration

L21-30R

Item Style

Insulgrip

Device Color

Black/White

Horsepower

3

Cord Dia.

.35"-1.15" (9-29)

Blade Holder Material

Natural White Nylon

Terminal Retainer Material

Clear polycarbonate

Housing Material

Black nylon

Cord Clamp Material

Natural (white) nylon

Blade Material	Brass
Terminal Clamp Material	.08" (2) steel-nickel plated
Terminal Screw Material	#10-32 Brass (white finish on neutral screw when used) Multi-drive
Ground Screw Material	#10-32 Brass (green finish) Multi-drive
Cord Clamp Screw Material	Steel, zinc plated Multi-drive
Body Holding Screw Material	Steel, zinc plated Multi-drive
Ratings	Molded into face.
Catalog No.	Permanently ink marked on body.
Dielectric Voltage Withstand	2,000V minimum
Current Interrupting	Certified for current interrupting at full rated current.
Temperature Rise	Max 30 C temperature rise at full rated current after 50 cycles of overload at 150% of rated current at a power factor of .75.
Cord Accommodation	Round portable service cords of diameters commensurate with the device rating as defined in UL Standard 62, CSA C22.2 No. 49.
Terminal Accommodation	30A #10 AWG
Terminal Identification	Terminals identified in accordance with UL 498 (X, Y, Z, White, Green)
Flammability	HB or better per UL 94 or CSA 22.2 No. 0.6
Operating Temperatures	Maximum Continuous 75 C Minimum -40 C (w/o impact)
Moisture Resistance	IP20
Listings	FED SPEC UL/CSA
Catalog Page	Click here for catalog page B54
Brochures	Click here for product brochure
Hubbellnet	Click here for Hubbellnet
Catalog Section	Click here for Section-B
UPC Number	78358503963
Weight in LBs	0.35



NE MA L21-30P
30A 3ØV
120/208V AC
UL/CSA
3 HP

NEMA
Configuration

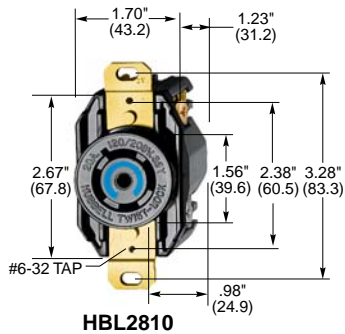


TWIST-LOCK® Devices

4 Pole, 5 Wire Grounding

30 Ampere, 3Ø Y 120/208, 277/480 and 347/600 Volts AC

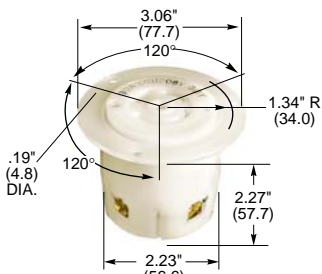
Receptacles, INSULGRIP® Connector Bodies, Flanged Devices and Plugs



HBL2810



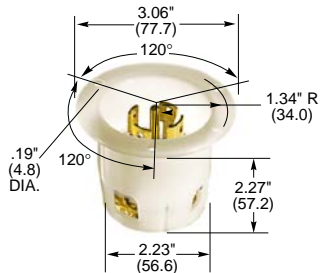
HBL2813



HBL2816



HBL2811



HBL2815



NEMA L21-30R
30A 3ØY
120/208V AC
UL/CSA
3 HP



NEMA L22-30R
30A 3ØY
277/480V AC
UL/CSA
10 HP



NEMA L23-30R
30A 3ØY
347/600V AC
UL/CSA

Single Flush Receptacles, Back and Side Wired

Description	Catalog Numbers		
Black nylon face.	HBL2810	HBL2820	HBL2830
Isolated ground, orange nylon face.	IG2810	-	-

Insulgrip Connector Bodies IP20 SUITABILITY

Description	Catalog Numbers		
Black and white nylon.	HBL2813	HBL2823	HBL2833
Corrosion resistant, yellow nylon.	HBL28CM13	-	-

Note: Cord grip range .35"-1.15" (9-29).

Insulgrip Flanged Receptacles

Description	Catalog Numbers		
Nylon casing, back wired.	HBL2816	HBL2826	HBL2836



NEMA L21-30P
30A 3ØY
120/208V AC
UL/CSA
3 HP



NEMA L22-30P
30A 3ØY
277/480V AC
UL/CSA
10 HP



NEMA L23-30P
30A 3ØY
347/600V AC
UL/CSA

Insulgrip Plugs IP20 SUITABILITY

Description	Catalog Numbers		
Black and white nylon.	HBL2811	HBL2821	HBL2831
Corrosion resistant, yellow nylon.	HBL28CM11	-	-

Notes: Grip range .35"-1.15" (9-29).

See page B-73 for Add-A-Shroud™ kit.

Insulgrip Flanged Inlets

Description	Catalog Numbers		
Nylon casing, back wired.	HBL2815	HBL2825	HBL2835

Notes: Only receptacles and plugs 480V AC or less are HP rated.

HP rating are AC only.

See pages B-70 and B-71 for accessories.

For technical information see page B-83.

See page B-63 for a switched enclosure.